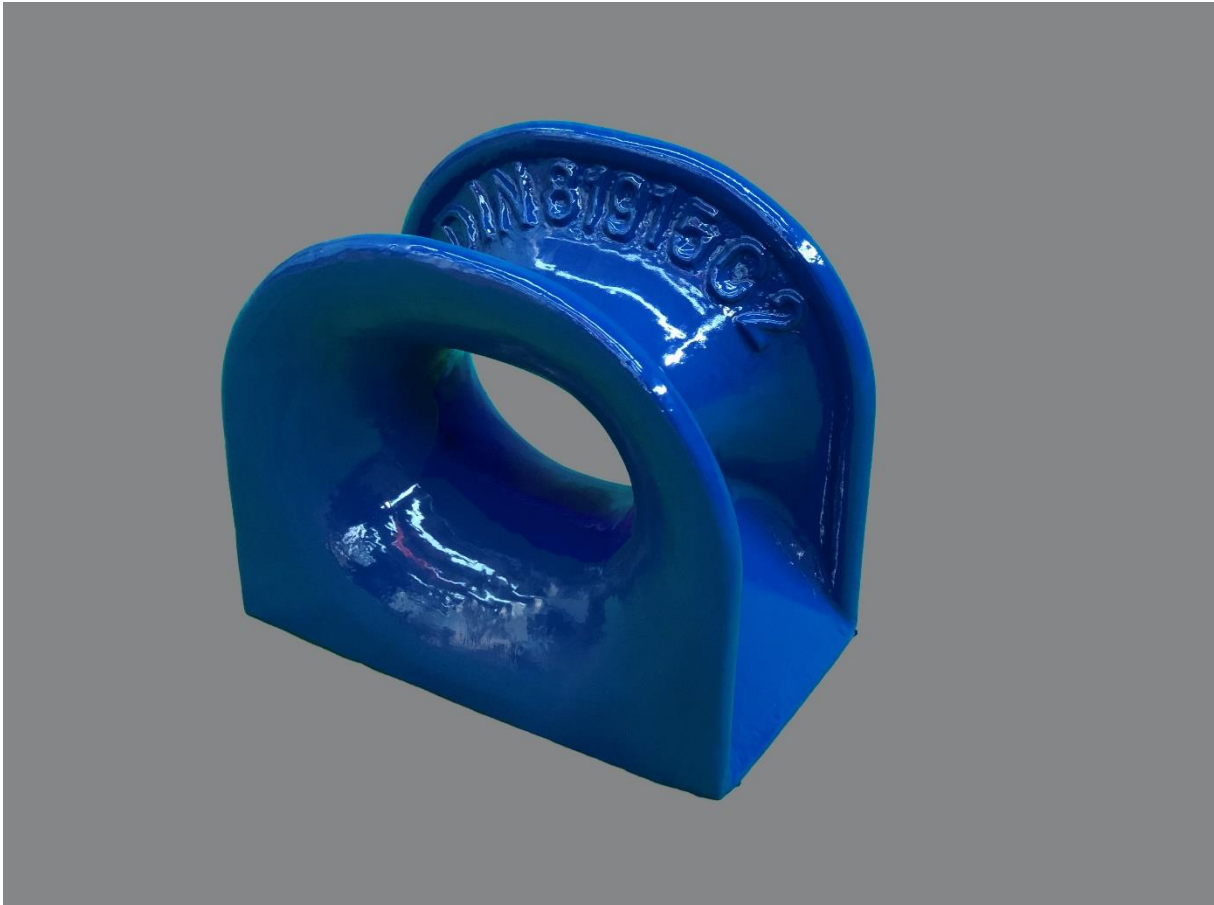


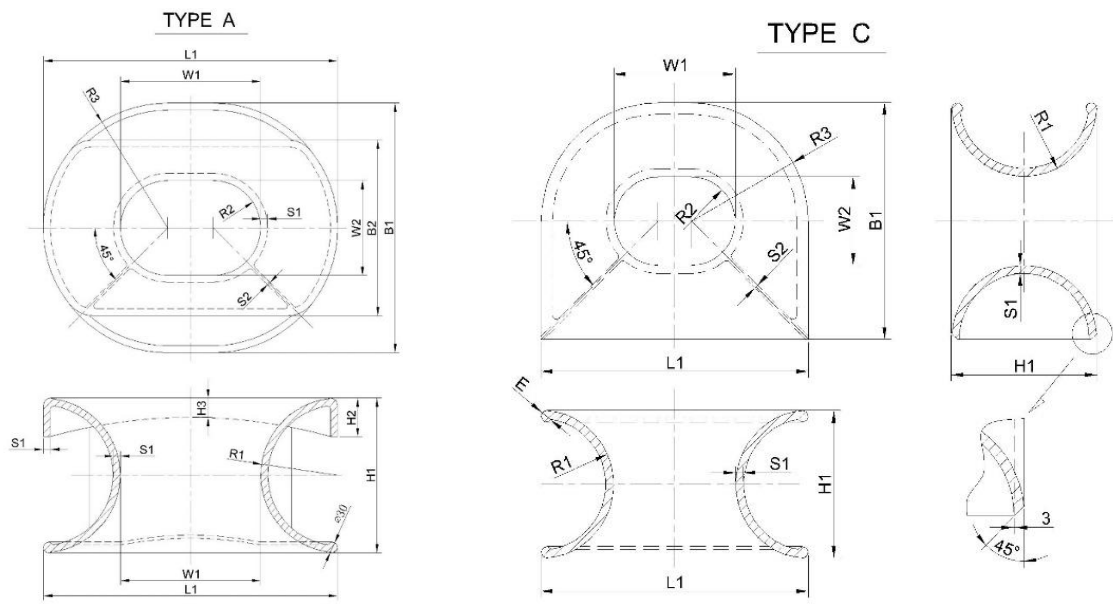
## Product sheet DIN 81915 Mooring Chock



Mooring chocks are used on board of all kind of vessels, we deliver the DIN 81915 type in 2 different executions, type A is bulwark mounted while type C is deck mounted.

Deliverance includes

- Welding primer



Type	Safe working load (KN)	B1	B2	E	H1	H2	H3	L1	R1	R2	R3	S1	S2	W1	W2	Reference Calculated (GS) mass (Kg)	
																Type A	Type C
1	10	250	175	15	160	65	20	285	80	45	125	10	5	125	90	18	19.6
2	20	315	225	18	200	70	25	360	100	57.5	158	12	6	160	115	26	29
3	32	390	275	21	250	75	32	450	125	70	195	14	7	200	140	42	48
5	50	480	340	24	300	80	38	550	150	90	240	16	8	250	180	74	85
8	80	585	415	27	360	90	45	680	180	112.5	293	18	9	320	225	120	136
12	125	710	500	30	440	110	55	840	220	135	355	20	10	400	270	185	211
20	200	840	595	33	520	130	65	1020	260	160	420	22	11	550	320	285	325
32	320	1100	800	-	700	150	80	1300	350	200	550	35	20	600	400	795	840