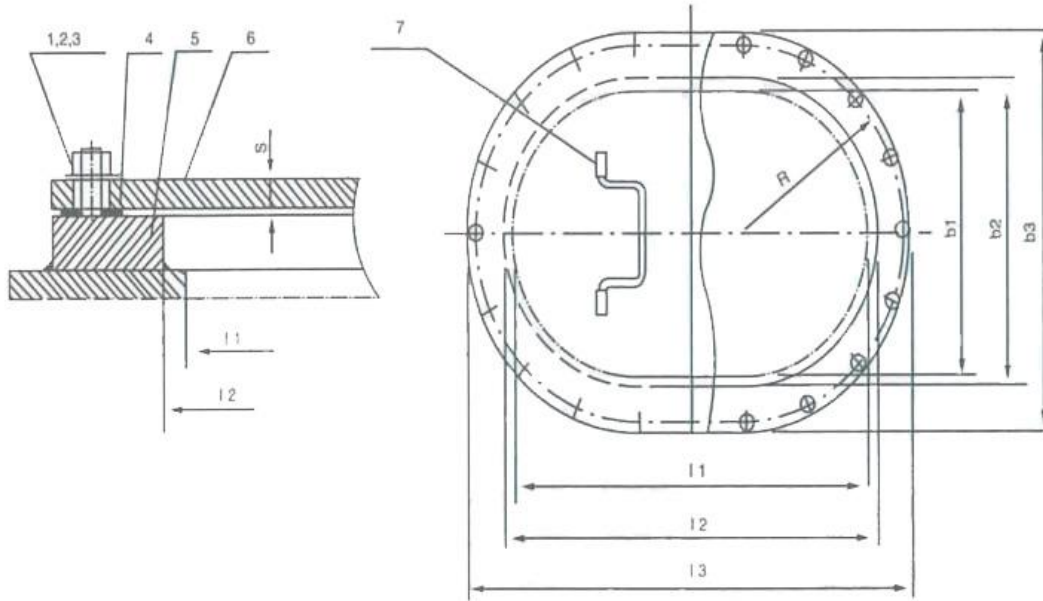


Manhole





Dimension	l ₁	l ₂	l ₃	b ₁	b ₂	b ₃	s	Size	Qty	Weight
	mm									
450 × 350	450	470	570	350	370	470	4	M20	16	28.9
							6			33.8
							8			37.2
							10			41.2
600 × 400	600	620	780	400	420	520	8		20	49.5
							10			55.6
							12			31.2
							14			67.6
800 × 600	800	820	920	600	620	720	12		26	67.2
							14			75.2
							16			82.8
							18			89.9
800 × 600 (oval)	800	830	930	400	430	530	12		24	56.8
							14			63.2
							16			69.2
							18			76.2