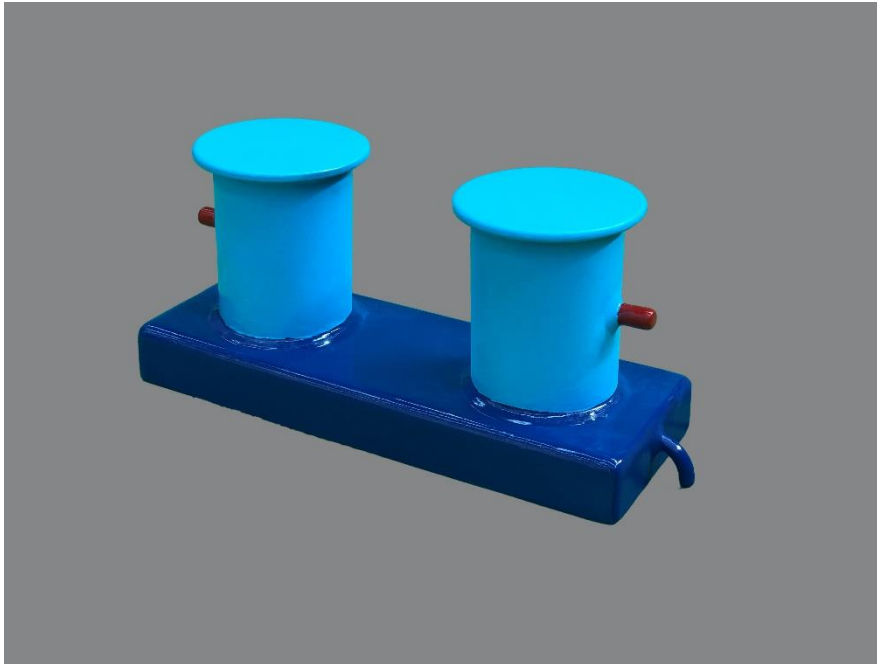
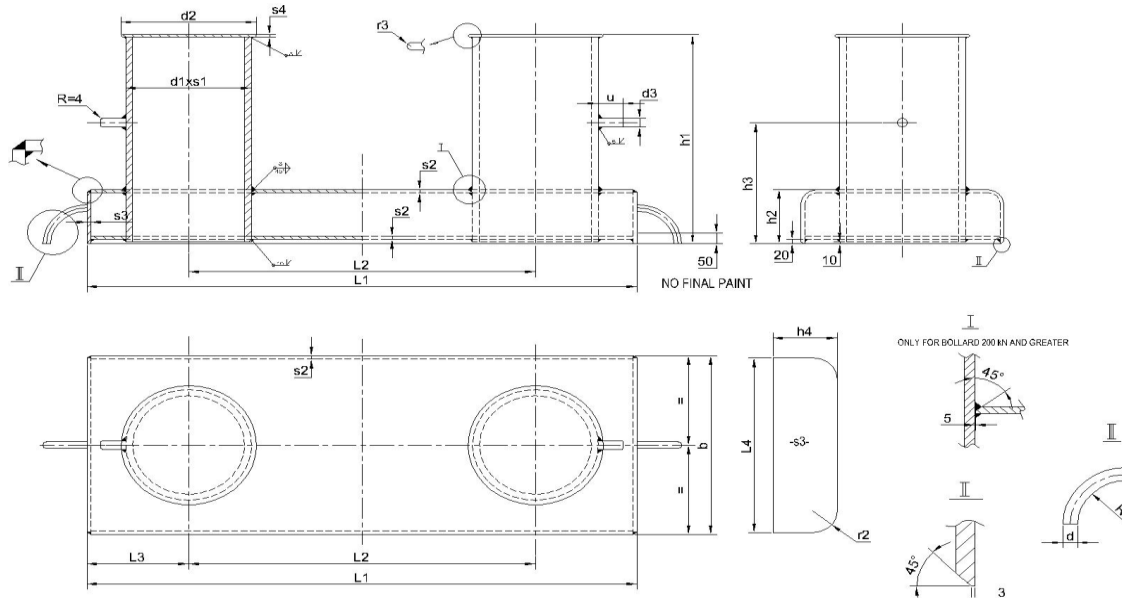


Product sheet offshore Bollard





Safe working Load (kN)	MAX. STATIC TRACTION IN KN ACCORDING ISO 3913	MOORING ROPE POLY PROP SPLIT FILM ϕ (mm)	TOW CABLE STEEL ϕ (mm)	d1xs1	h1	d2	d3	u	s4	r3	L1	L2	L3	L4	b	h2	h3	h4	s2	s3	r1	r2	d	R	Reference Calculated mass(Kg) \approx
10	70	32	12	133x8	330	175	25	50	7	3	625	375	125	240	250	80	195	75	7	7	25	27	20	40	38
20	100	32	14	159x10	410	205	25	50	8	4	780	480	150	288	300	100	230	94	8	8	25	27	20	40	68
30	160	36	18	193.7x12.5	480	240	40	70	9	4	960	600	180	346	360	115	265	108	9	9	50	52	25	60	115
50	230	44	20	273x12.5	560	325	40	70	10	5	1230	750	240	464	480	135	310	127	10	10	50	52	25	60	204
60	260	48	22	273x14.2	560	325	40	85	10	5	1230	750	240	464	480	135	310	127	10	10	50	54	25	60	215
80	350	56	26	323.9x16	650	390	40	100	12	6	1560	960	300	584	600	160	365	152	12	10	50	55	30	100	372
120	525	72	30	406.4x20	750	460	40	100	12	6	1920	1200	360	702	720	185	435	176	14	10	50	55	30	100	655
200	675	80	34	457x22.2	850	500	40	100	12	6	2120	1350	385	750	770	210	493	200	16	10	50	55	30	150	893
320	950	96	42	508x28	960	548	40	100	12	6	2220	1400	410	800	820	250	556	240	16	10	50	55	30	150	1018
450	1230	112	46	610x30	1100	650	40	120	12	6	2410	1500	455	890	910	300	638	290	16	10	50	55	30	150	1630
570	1340	112	48	660x30	1200	700	40	120	12	6	2560	1600	480	936	960	320	696	308	18	10	50	55	30	150	1974