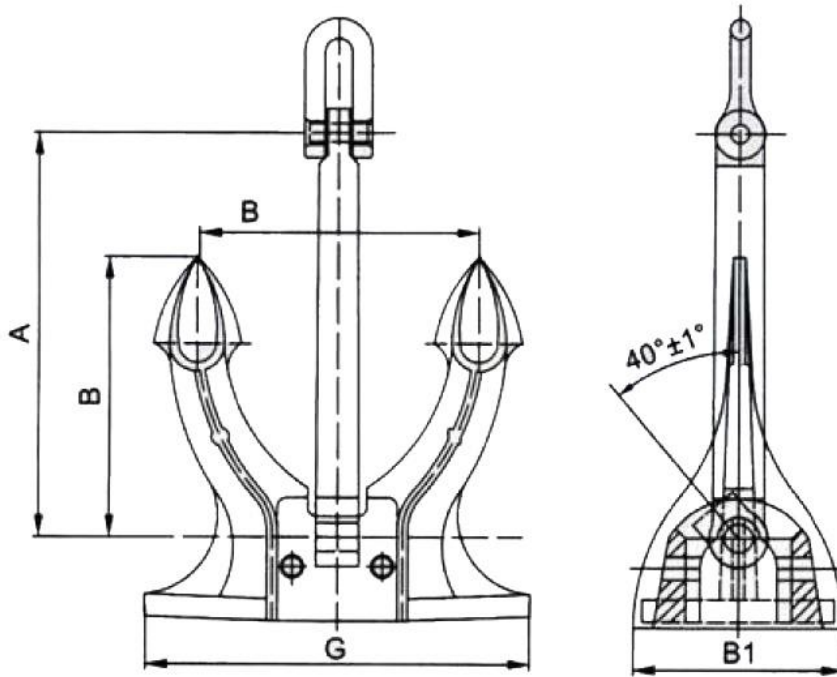


## (CJ-07) TYPE SR SPEK Anchor



Nominal Weight(Kg)	A(mm)	B(mm)	B1(mm)	G(mm)
210	900	500	340	690
240	900	550	390	760
300	1080	600	412	828
420	1080	600	412	828
450	1080	600	412	828
480	1170	650	442	900
570	1170	650	442	900
610	1260	700	472	962
660	1260	700	472	962
750	1350	750	508	1032
780	1350	750	519	1032
900	1440	800	547	1100
980	1440	800	547	1100
1020	1530	850	573	1170
1040	1620	900	591	1240
1100	1620	900	620	1240
1200	1710	950	640	1300
1300	1710	950	640	1300
1400	1710	950	671	1300
1500	1710	950	671	1300
1650	1800	1000	669	1378
1800	1890	1050	704	1454
1920	1890	1050	717	1454

Nominal Weight(Kg)	A(mm)	B(mm)	B1(mm)	G(mm)
2100	1890	1050	736	1454
2190	1890	1050	736	1454
2280	1980	1100	764	1454
2460	2070	1150	794	1581
2640	2070	1150	804	1584
2850	2160	1200	812	1650
3300	2160	1200	834	1650
3540	2160	1200	834	1650
3780	2430	1350	880	1850
4050	2430	1350	914	1850
4320	21520	1400	917	1926
4590	2520	1400	931	1926
4890	2520	1400	954	1926
5250	2610	1450	964	2000
5610	2610	1450	981	2000
5800	2700	1500	1006	2060
6000	2700	1500	1006	2060
6450	2700	1500	1023	2060
6900	2790	1500	1034	2138
7350	2790	1550	1062	2138
7800	2790	1550	1091	2138
8000	2790	1550	1091	2138
8300	3060	1700	1125	2332

All information shown and mentioned on this sheet are for reference only, technical drawings will be submitted at order.

Nominal Weight(Kg)	A(mm)	B(mm)	B1(mm)	G(mm)
7800	3060	1700	1166	2332
9300	3060	1700	1188	2332
9900	3060	1700	1188	2332
10500	3186	1770	1197	2440
11100	3186	1770	15212	2440
11700	3186	1770	1237	2440
12300	3438	1910	1260	2632

Nominal Weight(Kg)	A(mm)	B(mm)	B1(mm)	G(mm)
12900	3438	1910	1260	2632
13500	3438	1910	1316	2632
14700	3690	2050	1369	2824
16900	3816	2120	1415	2922
18800	3942	2190	1461	3018
20000	3942	2190	1493	3018