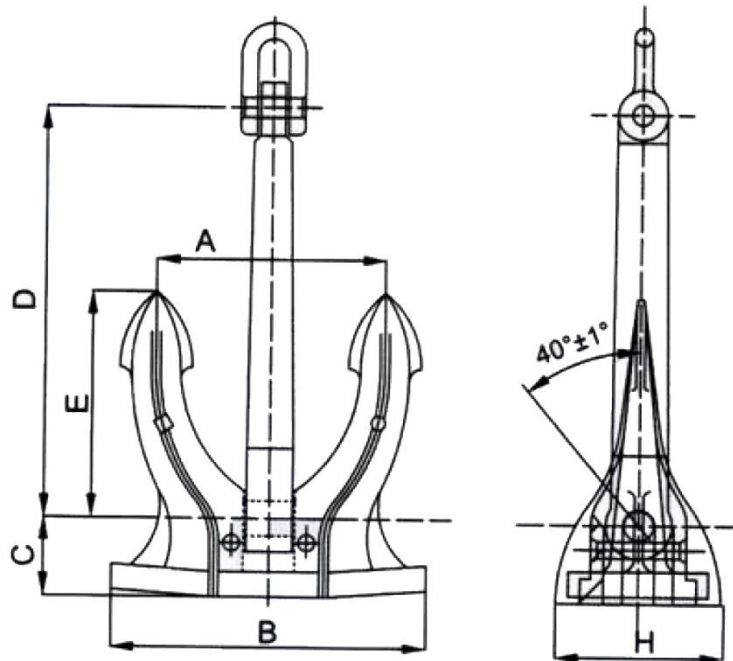


## (CJ-06) TYPE M SPEK Anchor



| Nominal Weight (Kg) | A (mm) | B (mm) | C (mm) | D (mm) | E (mm) | H (mm) |
|---------------------|--------|--------|--------|--------|--------|--------|
| 80                  | 339    | 468    | 108    | 611    | 336    | 222    |
| 105                 | 371    | 512    | 120    | 669    | 336    | 242    |
| 135                 | 371    | 512    | 149    | 669    | 368    | 254    |
| 240                 | 445    | 613    | 182    | 800    | 440    | 304    |
| 300                 | 527    | 727    | 168    | 949    | 522    | 344    |
| 360                 | 527    | 727    | 190    | 949    | 522    | 358    |
| 420                 | 590    | 813    | 188    | 1062   | 584    | 385    |
| 480                 | 590    | 813    | 211    | 1062   | 584    | 395    |
| 570                 | 652    | 900    | 208    | 1175   | 647    | 428    |
| 660                 | 653    | 900    | 208    | 1175   | 647    | 428    |
| 780                 | 725    | 1000   | 231    | 1305   | 718    | 473    |
| 900                 | 725    | 1000   | 264    | 1215   | 718    | 485    |
| 1020                | 793    | 1093   | 252    | 1428   | 785    | 518    |
| 1140                | 793    | 1093   | 277    | 1428   | 785    | 530    |
| 1290                | 858    | 1183   | 273    | 1544   | 850    | 561    |
| 1440                | 858    | 183    | 299    | 1544   | 850    | 573    |
| 1590                | 920    | 1268   | 293    | 1655   | 911    | 604    |
| 1740                | 920    | 1268   | 315    | 1655   | 911    | 611    |
| 1920                | 980    | 1350   | 312    | 1761   | 970    | 640    |
| 2100                | 980    | 1350   | 337    | 1761   | 970    | 650    |
| 2280                | 1038   | 1430   | 331    | 1866   | 1027   | 678    |
| 2460                | 1038   | 1430   | 355    | 1866   | 1027   | 688    |
| 2640                | 1090   | 1500   | 347    | 1959   | 1079   | 712    |

| Nominal Weight (Kg) | A (mm) | B (mm) | C (mm) | D (mm) | E (mm) | H (mm) |
|---------------------|--------|--------|--------|--------|--------|--------|
| 2850                | 1190   | 1500   | 380    | 1959   | 1079   | 722    |
| 3060                | 1144   | 1578   | 365    | 2058   | 1133   | 748    |
| 3300                | 1144   | 1578   | 387    | 2058   | 1133   | 760    |
| 3540                | 1202   | 1656   | 383    | 2159   | 1189   | 785    |
| 3780                | 1202   | 1656   | 405    | 2159   | 1189   | 797    |
| 4050                | 1257   | 1732   | 400    | 2258   | 1244   | 821    |
| 4320                | 1257   | 1732   | 422    | 2258   | 1244   | 831    |
| 4590                | 1257   | 1732   | 444    | 2258   | 1244   | 841    |
| 4890                | 1338   | 1846   | 426    | 2405   | 1325   | 874    |
| 5250                | 1338   | 1846   | 450    | 2405   | 1325   | 888    |
| 5610                | 1432   | 1974   | 431    | 2405   | 1418   | 936    |
| 6000                | 1432   | 1974   | 457    | 2577   | 1418   | 936    |
| 6450                | 1432   | 1974   | 483    | 2577   | 1418   | 950    |
| 6900                | 1533   | 2112   | 462    | 2757   | 1518   | 1001   |
| 7350                | 1533   | 2112   | 488    | 2757   | 1518   | 1001   |
| 7800                | 1533   | 2112   | 514    | 2757   | 1518   | 1015   |
| 8300                | 1621   | 2234   | 486    | 2916   | 1605   | 1059   |
| 8700                | 1621   | 2234   | 517    | 2916   | 1605   | 1059   |
| 9300                | 1621   | 2234   | 545    | 2916   | 1605   | 1074   |
| 9900                | 1726   | 2380   | 520    | 3015   | 1709   | 1128   |
| 10500               | 1726   | 2380   | 550    | 3105   | 1709   | 1128   |
| 11100               | 1726   | 2380   | 580    | 3105   | 1709   | 1138   |

All information shown and mentioned on this sheet are for reference only, technical drawings will be submitted at order.

| Nominal Weight (Kg) | A (mm) | B (mm) | C (mm) | D (mm) | E (mm) | H (mm) |
|---------------------|--------|--------|--------|--------|--------|--------|
| 11700               | 1819   | 2507   | 554    | 3273   | 1801   | 1188   |
| 12300               | 1819   | 2507   | 580    | 3273   | 1801   | 1188   |
| 12900               | 1819   | 2507   | 507    | 3273   | 1801   | 1200   |
| 13500               | 1904   | 2624   | 577    | 3425   | 1885   | 1243   |
| 14100               | 1904   | 2624   | 607    | 3425   | 1885   | 1243   |
| 14700               | 1904   | 2624   | 650    | 3425   | 1885   | 1243   |

| Nominal Weight (Kg) | A (mm) | B (mm) | C (mm) | D (mm) | E (mm) | H (mm) |
|---------------------|--------|--------|--------|--------|--------|--------|
| 15400               | 1904   | 2624   | 657    | 3425   | 1885   | 1263   |
| 16100               | 2018   | 2782   | 612    | 3632   | 1998   | 1318   |
| 16900               | 2018   | 2782   | 638    | 3632   | 1998   | 1318   |
| 17800               | 2018   | 2782   | 683    | 3632   | 1998   | 1318   |
| 18800               | 2018   | 2782   | 699    | 3632   | 1998   | 1343   |
| 20000               | 2170   | 2990   | 652    | 3905   | 2148   | 1416   |